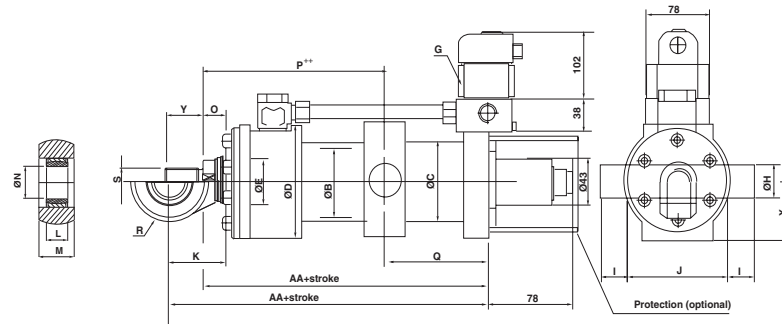


Servo Actuator

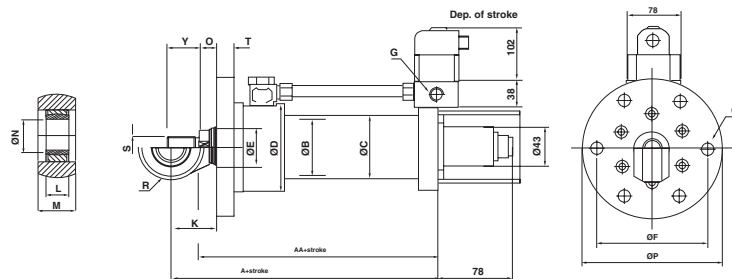
DIMENSIONS POS 200 SV



B	A	AA	C	D	E	G	H	I	J	K	L	M	N	O	P min	Q min	R	S	U	X	Y
40	175	163	50	72	25	R1/2"	20	20	70	43	16	20	20	31	130	90	25	M16x1.5	110	39	22
50	182	166	60	85	32	R1/2"	25	24	90	45	20	25	25	31	140	95	30	M20x1.5	115	50	28
63	198	175	73	100	40	R1/2"	32	30	108	54	32	30	32	31	150	100	35	M27x2	115	60	36
80	207	175	90	115	50	R1/2"	40	32	130	64	28	40	40	31	155	130	45	M33x2	115	70	45
100	238	192	110	150	63	R3/4"	50	40	158	77	35	50	50	31	165	145	55	M42x2	115	88	56

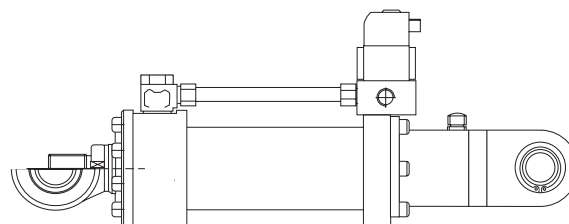
**Standard position P = U + 1/2

POS 200 SF

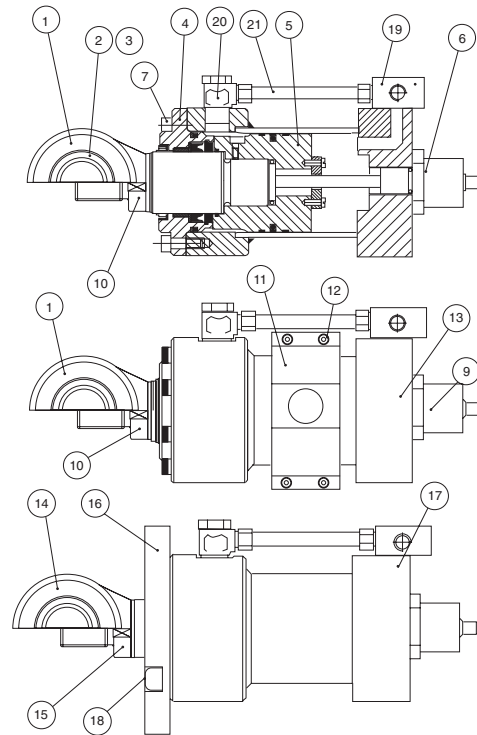


B	A	AA	C	D	E	F	G	H	K	L	M	N	O	P	R	S	T	Y
40	184	171	50	72	25	106	R1/2"	9	43	16	20	20	31	125	25	M16x1.5	16	22
50	194	178	60	85	32	121	R1/2"	11	45	20	25	25	31	145	30	M20x1.5	20	28
63	207	184	73	100	40	130	R1/2"	14	54	32	30	32	31	160	35	M27x2	20	36
80	232	190	90	115	50	150	R1/2"	16	64	28	40	40	31	185	45	M33x2	25	45
100	265	218	110	150	63	190	R3/4"	22	77	35	50	50	31	235	55	M42x2	30	56

POS 200 SK



POS 200 SPARE PARTS



ITEM	UNIT	DESCRIPTION	40/25	50/32	63/40	80/50	100/63
1	1	Rod, K	34543*	34545*	34547*	34564*	34568*
2	2	Swivel head	71001	71003	71004	71000	71002
3	4	Circlip	72000	72001	72002	72003	72004
4	1	Front head	31001	31101	31201	31301	31401
5	1	Piston	32404	32405	32406	32301	32402
6	1	Transducer					
7	6	Screw	74001	74001			
7	8	Screw			74000	74000	74004
10	1	Rod, U	34544*	34546*	34548*	34565*	34569*
11	1	Trunnion	36000	36001	36200	36302	36401
12	4	Screw	74001	74001	74003	74000	74006
13	1	Housing, V	33548*	33550*	33552*	33554*	33556*
14	1	Rod, K	34533*	33535*	34537*	34566*	34570*
15	1	Rod, U	34534*	34536*	34538*	34567*	34571*
16	1	Flange	36001	36102	36201	36300	36304
17	1	Housing, F	33549*	33551*	33553*	33555*	33557*
18	6	Screw	74002	74002	74003	74007	74006
19	1	Mainifold	36500	36501	36501	36501	36501
20	1	Pipe connection	76002	76001	76001	76001	76001
21	1	Pipe	45502*	45501*	45501*	45501*	45501*
22	1	Seal kit	80032	80033	80034	80035	80036

*Depending on stroke

Disclaimer

All product specifications and data are subject to change without notice.

Vishay Precision Group, Inc., its affiliates, agents, and employees, and all persons acting on its or their behalf (collectively, "Vishay Precision Group"), disclaim any and all liability for any errors, inaccuracies or incompleteness contained herein or in any other disclosure relating to any product.

Vishay Precision Group disclaims any and all liability arising out of the use or application of any product described herein or of any information provided herein to the maximum extent permitted by law. The product specifications do not expand or otherwise modify Vishay Precision Group's terms and conditions of purchase, including but not limited to the warranty expressed therein, which apply to these products.

No license, express or implied, by estoppel or otherwise, to any intellectual property rights is granted by this document or by any conduct of Vishay Precision Group.

The products shown herein are not designed for use in medical, life-saving, or life-sustaining applications unless otherwise expressly indicated. Customers using or selling Vishay Precision Group products not expressly indicated for use in such applications do so entirely at their own risk and agree to fully indemnify Vishay Precision Group for any damages arising or resulting from such use or sale. Please contact authorized Vishay Precision Group personnel to obtain written terms and conditions regarding products designed for such applications.

Product names and markings noted herein may be trademarks of their respective owners.